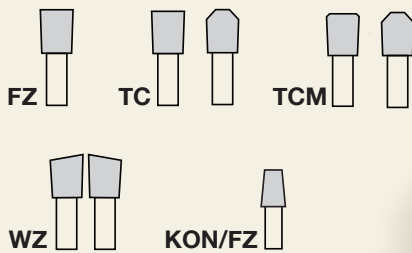
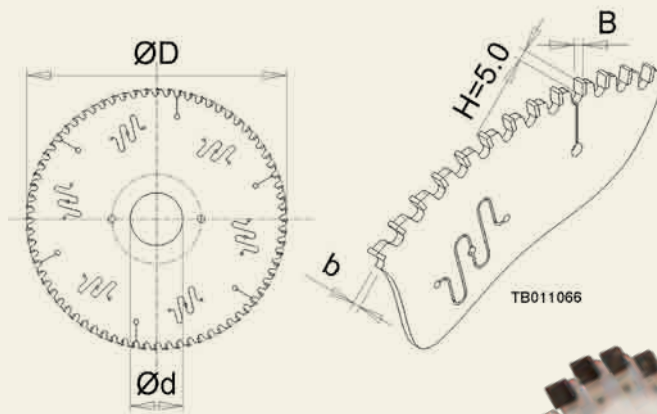


**PCD** SAW BLADES

Diameter Ø CD min.	Cutting Kerf B	Diameter Ø d min.	Z
200-350	3.2 / 2.2		36-72
<b>PCD SIZING SAW BLADES</b> The scoring saw blades are suitable for applications of single or multiple packs			
300-600	3.2 / 4.8		36-96
<b>PCD LARGE DIAMETER PANEL SIZING SAW BLADES</b> The scoring saw blades are suitable for applications of single or multiple packs			
125-215			18-36
<b>PCD CONICAL SCORING SAW BLADES</b>			



- AVAILABLE LEFT AND RIGHT
- SYMMETRICAL DESIGN

**WORKPIECE MATERIAL**  
 melamine and paper laminated ,raw  
 particleboard and MDF  
 HPL laminated panel material