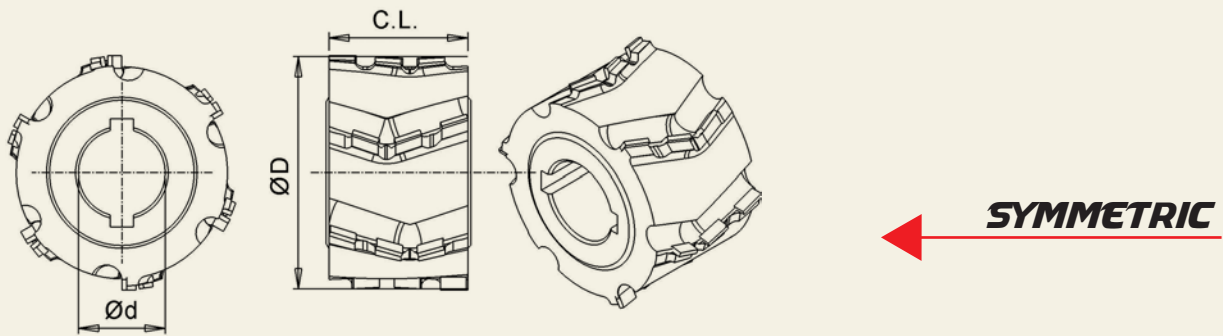


PCD JOINTING/RABBETING CUTTERS

FOR JOINTING LAMINATED PANEL MATERIALS

Item No.	Cutting Diameter mm	Cutting Length mm	Bore Diameter mm	Z	Key Size	Design
JCS-050X35	50	35	16	3+3		Symmetric
JCS-080X43	80	34	30	3+3	2 (8x3)	Symmetric
JCS-080X43	80	48	30	3+3	2 (8x3)	Symmetric
JCS-100X34	100	34	30	3+3	2 (8x3)	Symmetric
JCS-100X48	100	48	30	3+3	2 (8x3)	Symmetric
JCS-100X63	100	63	30	3+3	2 (8x3)	Symmetric
JCS-125X34	125	34	30	3+3	2 (8x3)	Symmetric
JCS-125X48	125	48	30	3+3	2 (8x3)	Symmetric
JCS-125X63	125	63	30	3+3	2 (8x3)	Symmetric

* ADDITIONAL DESIGNS AVAILABLE ON REQUEST



WORKPIECE MATERIAL
 Melamine and Paper laminated
 HPL coated and veneered.