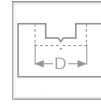


# Drilling



CNC & Automatic Machines



Multi Purpose Boring

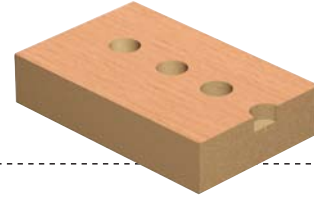
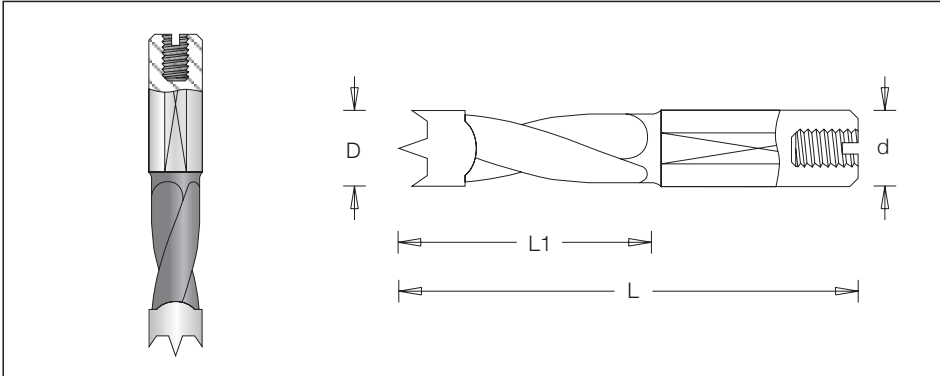


Slot Mortising



Counter Sinking & Plug maker

## 201 Bk - Dowel Drill



øD	Code No.		L1	L	ød
	Right	Left			
4.0	201 281 7	201 282 7	27	57.5	10x27
5.0	201 001 7	201 004 7	27	57.5	10x27
5.1	201 005 7	201 006 7	27	57.5	10x27
5.2	201 020 7	201 021 7	27	57.5	10x27
6.0	201 007 7	201 010 7	27	57.5	10x27
7.0	201 008 7	201 011 7	27	57.5	10x27
8.0	201 013 7	201 016 7	27	57.5	10x27
8.1	201 212 7	201 213 7	27	57.5	10x27
8.2	201 029 7	201 030 7	27	57.5	10x27
9.0	201 015 7	201 017 7	27	57.5	10x27
10.0	201 019 7	201 022 7	27	57.5	10x27
11.0	201 023 7	201 024 7	27	57.5	10x27
12.0	201 025 7	201 028 7	27	57.5	10x27



Screw  
#193 000 0  
M5x10

øD	Code No.		L1	L	ød
	Right	Left			
4.0	201 287 7	201 288 7	35	70	10x30
5.0	201 031 7	201 034 7	35	70	10x30
5.1	201 035 7	201 036 7	35	70	10x30
5.2	201 274 7	201 275 7	35	70	10x30
6.0	201 037 7	201 040 7	35	70	10x30
7.0	201 038 7	201 041 7	35	70	10x30
8.0	201 043 7	201 046 7	35	70	10x30
8.1	201 230 7	201 231 7	35	70	10x30
8.2	201 232 7	201 233 7	35	70	10x30
9.0	201 047 7	201 048 7	35	70	10x30
10.0	201 049 7	201 052 7	35	70	10x30
11.0	201 062 7	201 063 7	35	70	10x30
12.0	201 055 7	201 058 7	35	70	10x30



Screw  
#193 000 0  
M5x10

Index

Sawing

CNC

Cutting

Drilling

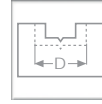
Routing

Custom Tooling

# Drilling



CNC &  
Automatic  
Machines



Multi  
Purpose  
Boring

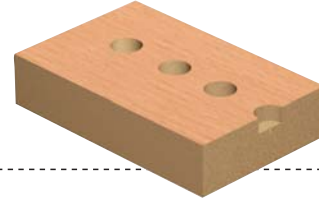
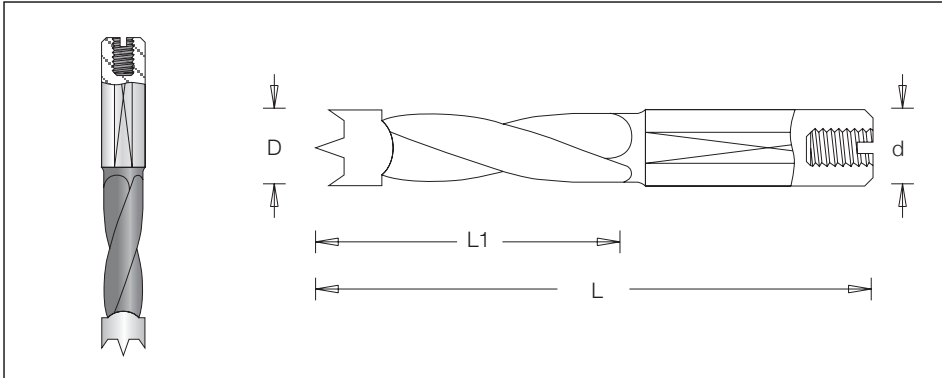


Slot  
Mortising



Counter  
Sinking &  
Plug maker

## 201 Bk - Dowel Drill



øD	Code No.		L1	L	ød
	Right	Left			
5.0	201 202 7	201 203 7	44	77	10x30
5.1	201 270 7	201 271 7	44	77	10x30
5.2	201 204 7	201 205 7	44	77	10x30
6.0	201 206 7	201 207 7	44	77	10x30
7.0	201 208 7	201 209 7	44	77	10x30
8.0	201 210 7	201 211 7	44	77	10x30
8.1	201 240 7	201 241 7	44	77	10x30
8.2	201 242 7	201 243 7	44	77	10x30
9.0	201 250 7	201 251 7	44	77	10x30
10.0	201 214 7	201 215 7	44	77	10x30
11.0	201 256 7	201 257 7	44	77	10x30
12.0	201 218 7	201 219 7	44	77	10x30

øD	Code No.		L1	L	ød
	Right	Left			
5.0	201 910 7	201 911 7	45	85	10x30
6.0	201 914 7	201 915 7	45	85	10x30
7.0	201 918 7	201 919 7	45	85	10x30
8.0	201 922 7	201 923 7	45	85	10x30
10.0	201 926 7	201 927 7	45	85	10x30
12.0	201 934 7	201 935 7	45	85	10x30

øD	Code No.		L1	L	ød
	Right	Left			
5.0	201 950 7	201 951 7	65	105	10x30
6.0	201 954 7	201 955 7	65	105	10x30
7.0	201 958 7	201 959 7	65	105	10x30
8.0	201 962 7	201 963 7	65	105	10x30
10.0	201 966 7	201 967 7	65	105	10x30
12.0	201 974 7	201 975 7	65	105	10x30
14.0	201 980 7		65	105	10x30



Screw  
#193 000 0  
M5x10

Index

Sawing

CNC

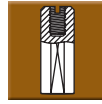
Cutting

Drilling

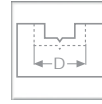
Routing

Custom Tooling

# Drilling



CNC &  
Automatic  
Machines



Multi  
Purpose  
Boring

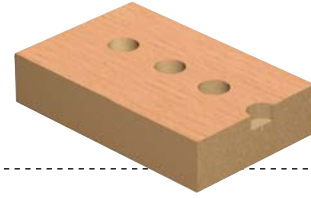
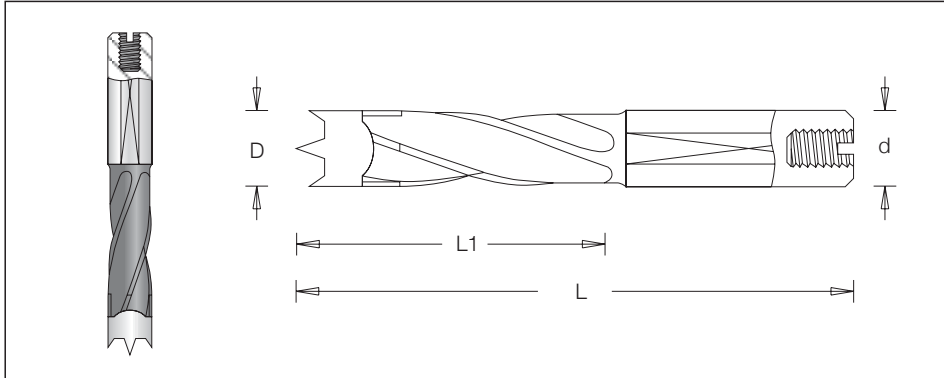


Slot  
Mortising



Counter  
Sinking &  
Plug maker

## 201 Bk - Dowel Drill - Double Flute



øD	Code No.		L1	L	ød
	Right	Left			
4.0	201 401 7	201 402 7	30	57.5	10x20
5.0	201 403 7	201 406 7	30	57.5	10x20
5.1	201 460 7	201 461 7	30	57.5	10x20
5.2	201 464 7	201 465 7	30	57.5	10x20
6.0	201 407 7	201 410 7	30	57.5	10x20
6.3	201 471 7	201 472 7	30	57.5	10x20
7.0	201 411 7	201 412 7	30	57.5	10x20
8.0	201 413 7	201 416 7	30	57.5	10x20
8.1	201 503 7	201 504 7	30	57.5	10x20
8.2	201 505 7	201 506 7	30	57.5	10x20
9.0	201 510 7	201 511 7	30	57.5	10x20
9.5	201 520 7	201 521 7	30	57.5	10x20
10.0	201 417 7	201 420 7	30	57.5	10x20
11.0	201 530 7	201 531 7	30	57.5	10x20
12.0	201 421 7	201 424 7	30	57.5	10x20
12.7	201 540 7	201 541 7	30	57.5	10x20
13.0	201 542 7	201 543 7	30	57.5	10x20
14.0	201 578 7	201 579 7	30	57.5	10x20
15.0	201 580 7	201 581 7	30	57.5	10x20
16.0	201 590 7	201 591 7	30	57.5	10x20



Screw  
#193 000 0  
M5x10

Index

Sawing

CNC

Cutting

Drilling

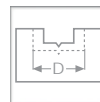
Routing

Custom Tooling

# Drilling



CNC & Automatic Machines



Multi Purpose Boring

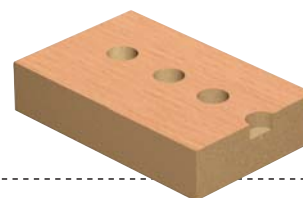
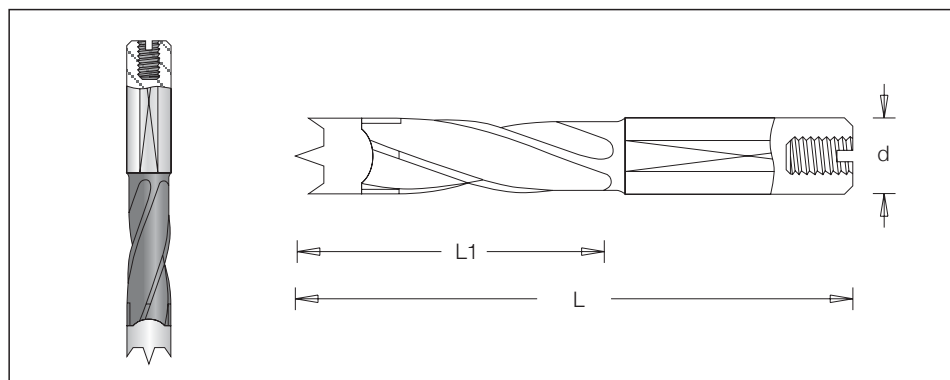


Slot Mortising



Counter Sinking & Plug maker

## 201 Bk - Dowel Drill - Double Flute



øD	Code No.		L1	L	ød
	Right	Left			
4.0	201 432 7	201 434 7	43	70	10x20
5.0	201 433 7	201 436 7	43	70	10x20
5.1	201 428 7	201 429 7	43	70	10x20
5.2	201 430 7	201 431 7	43	70	10x20
6.0	201 437 7	201 440 7	43	70	10x20
6.3	201 458 7	201 459 7	43	70	10x20
7.0	201 441 7	201 442 7	43	70	10x20
8.0	201 443 7	201 446 7	43	70	10x20
8.1	201 487 7	201 488 7	43	70	10x20
8.2	201 489 7	201 490 7	43	70	10x20
9.0	201 491 7	201 492 7	43	70	10x20
9.5	201 493 7	201 494 7	43	70	10x20
10.0	201 447 7	201 450 7	43	70	10x20
11.0	201 448 7	201 455 7	43	70	10x20
12.0	201 451 7	201 454 7	43	70	10x20
12.7	201 456 7	201 457 7	43	70	10x20
14.0	201 594 7	201 595 7	43	70	10x20
15.0	201 596 7	201 597 7	43	70	10x20
16.0	201 598 7	201 599 7	43	70	10x20



Screw  
#193 000 0  
M5x10

Index

Sawing

CNC

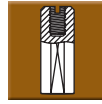
Cutting

Drilling

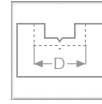
Routing

Custom Tooling

# Drilling



CNC & Automatic Machines



Multi Purpose Boring

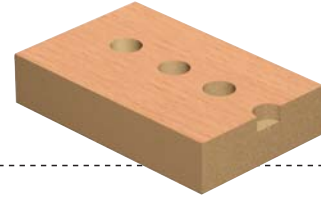
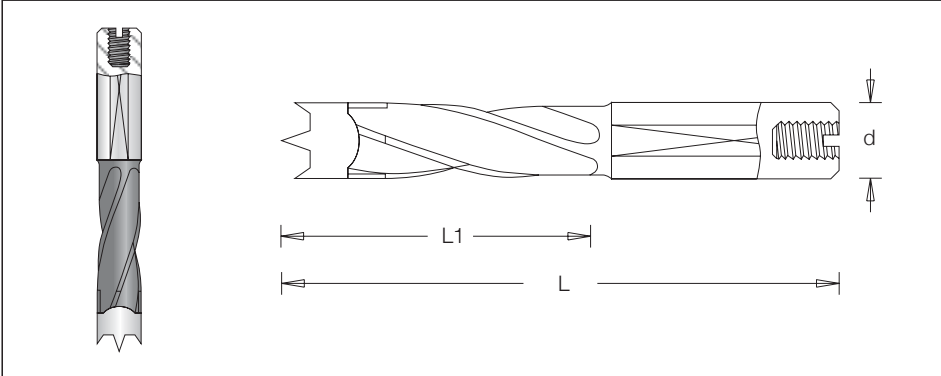


Slot Mortising



Counter Sinking & Plug maker

## 201 Bk - Dowel Drill - Double Flute



øD	Code No.		L1	L	ød
	Right	Left			
5.0	201 473 7	201 476 7	50	77	10x20
5.1	201 544 7	201 545 7	50	77	10x20
5.2	201 546 7	201 547 7	50	77	10x20
6.0	201 477 7	201 478 7	50	77	10x20
7.0	201 480 7	201 481 7	50	77	10x20
8.0	201 483 7	201 486 7	50	77	10x20
8.1	201 550 7	201 551 7	50	77	10x20
8.2	201 554 7	201 555 7	50	77	10x20
9.0	201 560 7	201 561 7	50	77	10x20
10.0	201 495 7	201 496 7	50	77	10x20
11.0	201 570 7	201 571 7	50	77	10x20
12.0	201 497 7	201 498 7	50	77	10x20



Screw  
#193 000 0  
M5x10

Index

Sawing

CNC

Cutting

Drilling

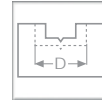
Routing

Custom Tooling

# Drilling



CNC &  
Automatic  
Machines



Multi  
Purpose  
Boring

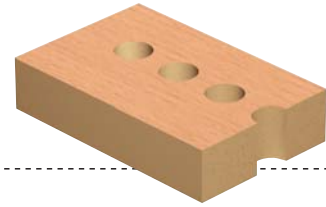
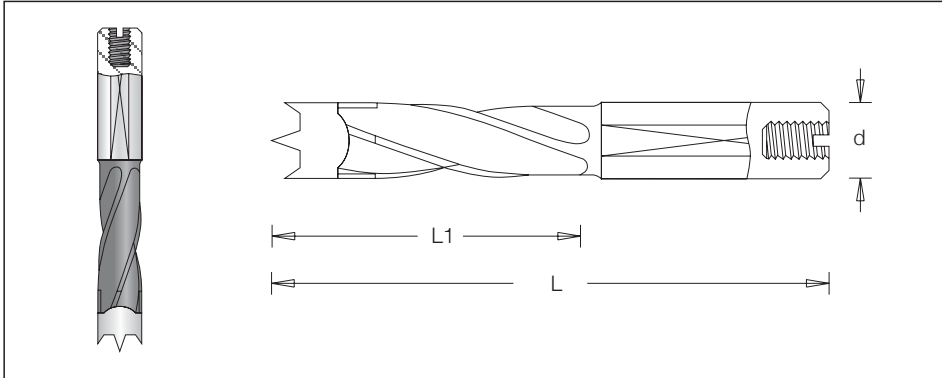


Slot  
Mortising



Counter  
Sinking &  
Plug maker

## 201 Bk - Dowel Drill - Double Flute 8mm Shank



øD	Code No.		L1	L	ød
	Right	Left			
5	201 403 5	201 406 5	30	55.5	8x20
6	201 407 5	201 410 5	30	55.5	8x20
7	201 411 5	201 412 5	30	55.5	8x20
8	201 413 5	201 416 5	30	55.5	8x20
9	201 510 5	201 511 5	30	55.5	8x20
10	201 417 5	201 420 5	30	55.5	8x20
12	201 421 5	201 424 5	30	55.5	8x20
5	201 433 5	201 436 5	40	67.0	8x20
6	201 437 5	201 440 5	40	67.0	8x20
7	201 441 5	201 442 5	40	67.0	8x20
8	201 443 5	201 446 5	40	67.0	8x20
9	201 491 5	201 492 5	40	67.0	8x20
10	201 447 5	201 450 5	40	67.0	8x20
12	201 451 5	201 454 5	40	67.0	8x20



Screw  
#193 000 0  
M5x10

Index

Sawing

CNC

Cutting

Drilling

Routing

Custom Tooling