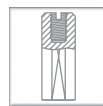
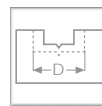


Drilling



CNC &
Automatic
Machines



Multi
Purpose
Boring

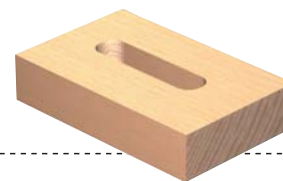
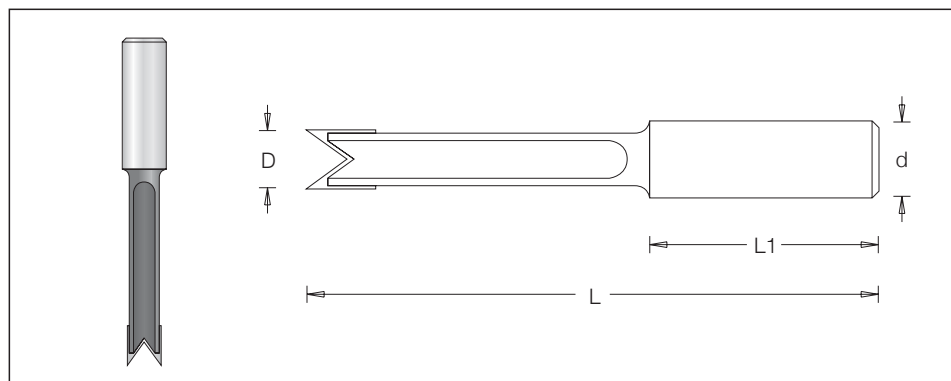


Slot
Mortising



Counter
Sinking &
Plug maker

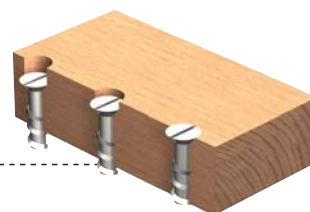
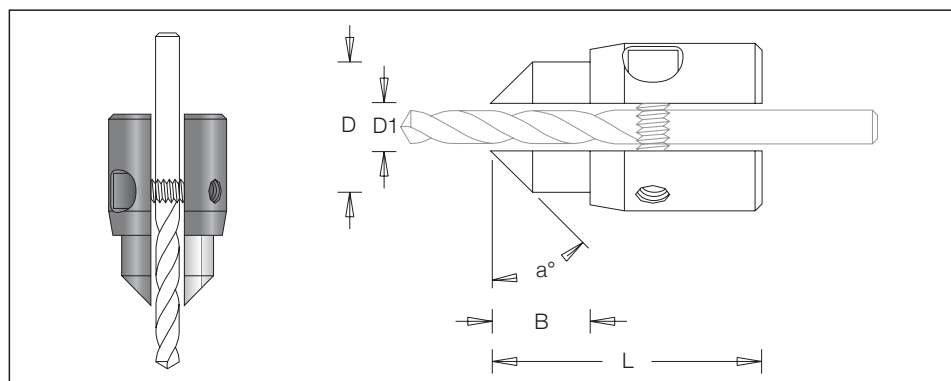
204 W Reciprocating Slot Mortise Bit



$\varnothing D$	Code No.	L1	L	$\varnothing d$
8	204 001 8	40	100	13
10	204 007 8	40	100	13
12	204 013 8	40	120	13
14	204 019 8	40	120	13
16	204 025 8	40	120	13
18	204 031 8	40	120	13

⚠ With two flutes, both for right or left oscillating motion for tearfree milling and smooth slots in soft and hard wood.

Dicount™ - Multi diameter Countersink



$\varnothing D1$	$\varnothing D$	a	Code No.	B	L
3.0-7.2	11.3-15.3	45°	202 000 0	12	32

⚠ Enables drilling and countersinking in one single pass. Assembled on spiral drills with diameter from 3.5 to 7.2 mm (1/8" to 9/32").

Spare Parts:



Allen screw
#193 046 3
M4x12



Allen key
#194 003 0
S3

Index

Sawing

CNC

Cutting

Drilling

Routing

Custom Tooling