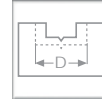


Drilling



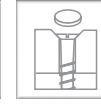
CNC & Automatic Machines



Multi Purpose Boring



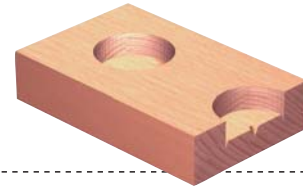
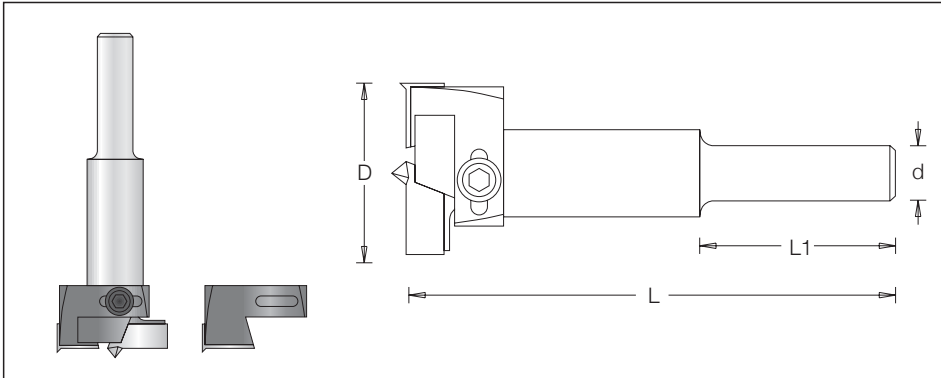
Slot Mortising



Counter Sinking & Plug maker

Index

203 BM - Adjustable Cylinder Boring Bit



	$\varnothing D$	Code No.	L1	L	$\varnothing d$
Complete	30.0-60.0	203 501 7	35	90	10

! With centering point two scorers, one fixed and one adjustable. Supplied with adjustable knife for range 30-45 mm. Additional knife for the 45-60 mm range and matching hexagon key.

Spare Parts:



Knife
#203 512 0
30-45



Knife
#203 520 0
45-60



Allen screw
#193 013 0
4.8x16

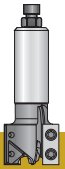


Allen key
#194 010 0
5/32"

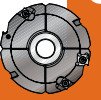
Sawing



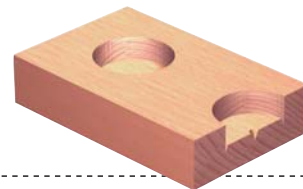
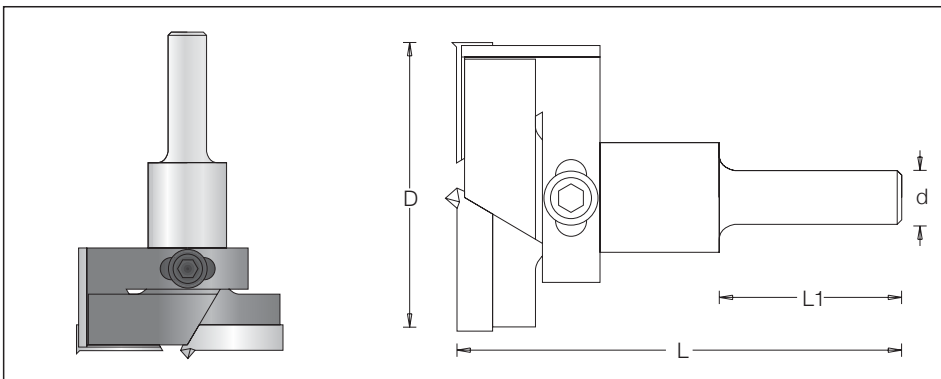
CNC



Cutting



203 BM - Adjustable Cylinder Boring Bit



	$\varnothing D$	Code No.	L1	L	$\varnothing d$
Complete	60.0-80.0	203 504 8	40	100	12.7

! With centering point two scorers, one fixed and one adjustable covering the range of 60-80 mm. Supplied with matching hexagonal key.

Spare Parts:



Knife
#203 525 0
60-80

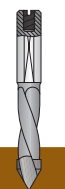


Allen screw
#193 010 0
6.3x19

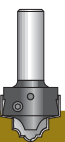


Allen key
#194 007 0
3/16"

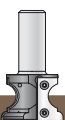
Drilling



Routing



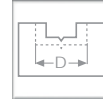
Custom Tooling



Drilling



CNC &
Automatic
Machines



Multi
Purpose
Boring

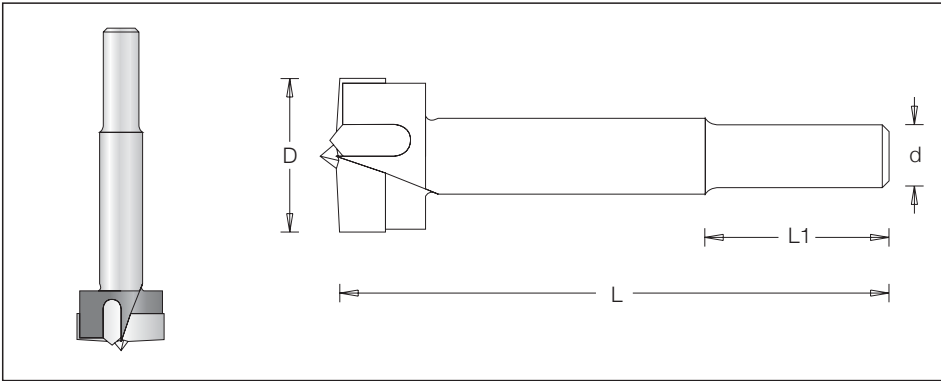


Slot
Mortising



Counter
Sinking &
Plug maker

203 B Cylinder Boring Bit



øD	Code No.	L1	L	ød
8	203 308 7	30	90	10
10	203 310 7	30	90	10
11	203 311 7	30	90	10
12	203 312 7	30	90	10
13	203 313 7	30	90	10
14	203 314 7	30	90	10
15	203 315 7	30	90	10
16	203 316 7	30	90	10
17	203 317 7	30	90	10
18	203 318 7	30	90	10
19	203 319 7	30	90	10
20	203 320 7	30	90	10
21	203 321 7	30	90	10
22	203 322 7	30	90	10
23	203 323 7	30	90	10
24	203 324 7	30	90	10
25	203 325 7	30	90	10
26	203 326 7	30	90	10
27	203 327 7	30	90	10
28	203 328 7	30	90	10
29	203 329 7	30	90	10
30	203 330 7	30	90	10
31	203 331 7	30	90	10
32	203 332 7	30	90	10
33	203 333 7	30	90	10
34	203 334 7	30	90	10
35	203 335 7	30	90	10
36	203 336 7	30	90	10
37	203 337 7	30	90	10
38	203 338 7	30	90	10
39	203 339 7	30	90	10
40	203 340 7	30	90	10
42	203 342 7	38	90	10
44	203 344 7	38	90	10
45	203 345 7	38	90	10
46	203 346 7	38	90	10
48	203 348 7	38	90	10
50	203 350 7	38	90	10
55	203 355 7	38	90	10
58	203 358 7	38	90	10
60	203 360 7	38	90	10

Index

Sawing

CNC

Cutting

Drilling

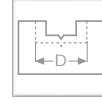
Routing

Custom Tooling

Drilling



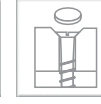
CNC & Automatic Machines



Multi Purpose Boring

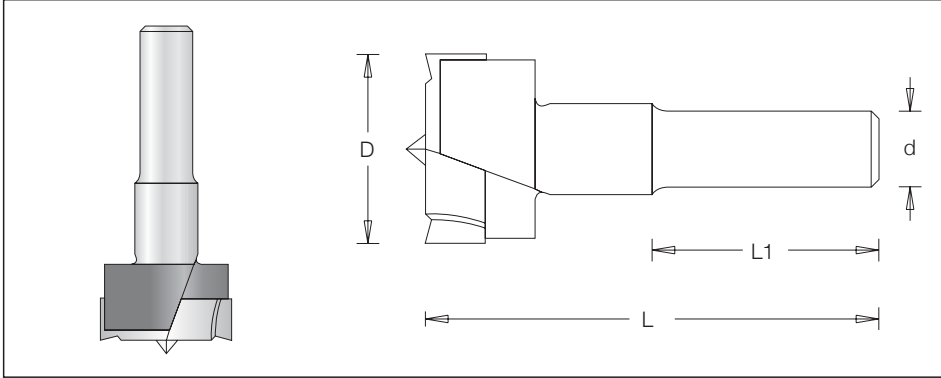


Slot Mortising



Counter Sinking & Plug maker

2034 Cylinder Boring Bit For Router Machine



$\varnothing D$	Code No.	L1	L	$\varnothing d$
25	2034 41 5	30	60	8
25	2034 41 9	30	60	12
30	2034 46 5	30	60	8
30	2034 46 9	30	60	12
35	2034 51 5	30	60	8
35	2034 51 9	30	60	12

⚠ Specially designed drills for high rotation speed.
Suitable for covered board and natural wood.

Index

Sawing

CNC

Cutting

Drilling

Routing

Custom Tooling