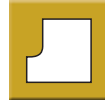




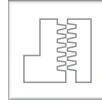
CNC



Grooving & Sizing



Profiling & Chamfering



Jointing & Rebating



Frame & Panel door



Carving



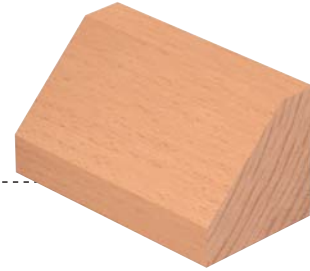
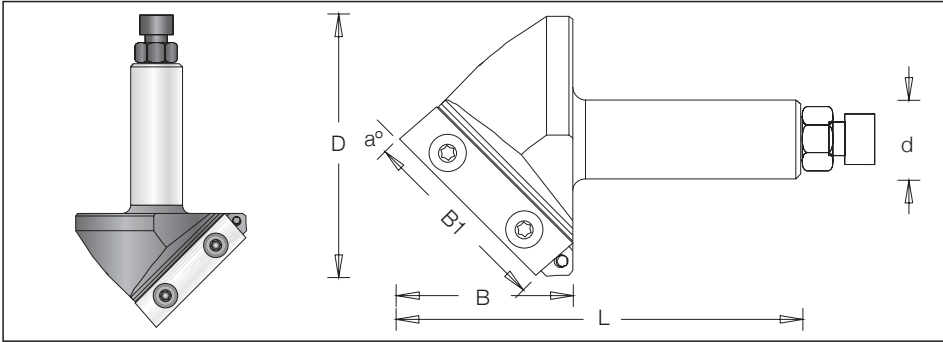
Clamping Systems & Adapters



Index

V - Groove Router Cutter

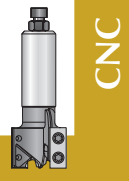
Disposable insert router complete with one or two cutting flutes designed to mitre fold on solid wood, hardwood and manmade boards to perfect the joint.



Sawing



øD	Code No.	a	B	B1	L	Z	ød	n
52.6	805 360 0	60°	44.6	51.5	111	1	20	18,000
67.0	805 365 0	90°	33.0	47.0	97	1	20	18,000
86.6	105 370 0	120°	25.0	50.0	97.5	2	20	18,000
90.6	805 385 0	130°	20.8	50.0	98.0	2	20	18,000
96.6	105 380 0	150°	13.0	50.0	90.3	2	20	18,000



CNC

Spare Parts:



T.C. Blade
310 500 2
59.7X12x1.5

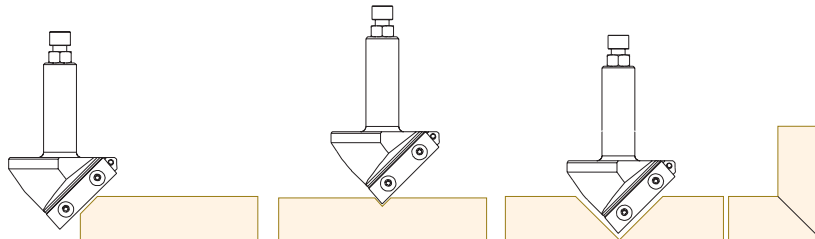


Torx screw
193 395 0
M4x6

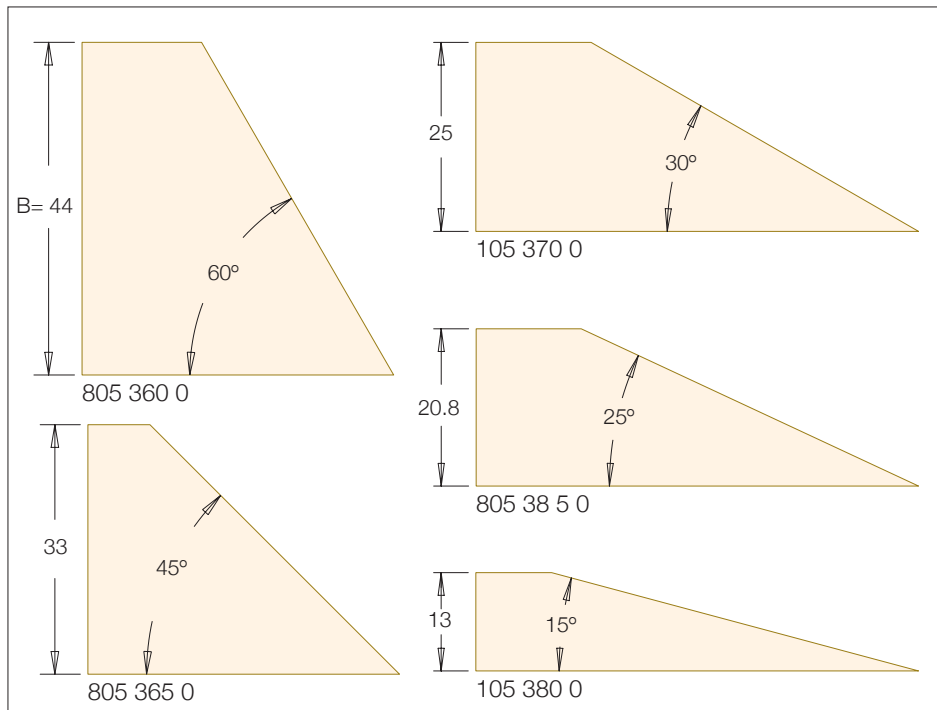
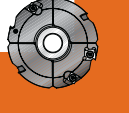


Torx key
194 101 5
T-15

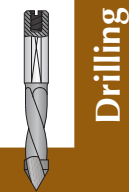
a= 60°	310 500 2 59.7X12x1.5	193 395 0 M4x6
a= 90°	310 500 1 48X12x1.5	193 395 0 M4x6
a= 120°	310 500 4 50x12x1.5	193 148 2 M4x5.6
a= 130°	310 500 4 50x12x1.5	193 148 2 M4x5.6
a= 150	310 500 4 50x12x1.5	193 148 2 M4x5.6



Cutting



1:1



Drilling



Routing



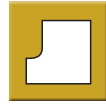
Custom Tooling



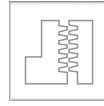
CNC



Grooving & Sizing



Profiling & Chamfering



Jointing & Rebating



Frame & Panel door



Carving



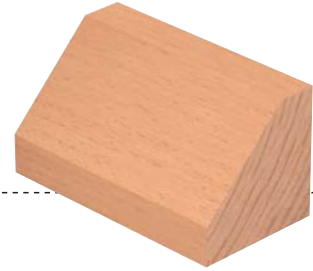
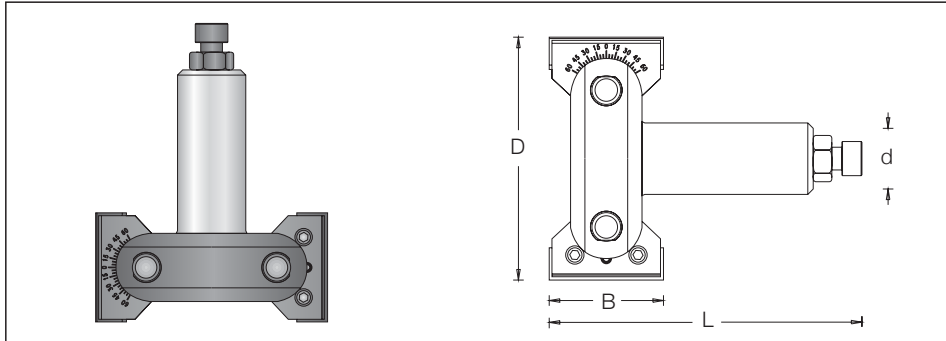
Clamping Systems & Adapters



Index

Adjustable Bevel Router Cutter

Disposable insert router cutter complete with two cutting flutes. Suitable for producing chamfer cuts at various angles in softwood, hardwood and man-made boards. Cutting angle can be adjusted in 7.5° steps by using a notched scale. Fine adjustment of 1° is also possible. For use on routers and machining centres with CNC control.



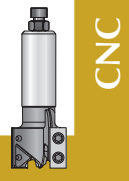
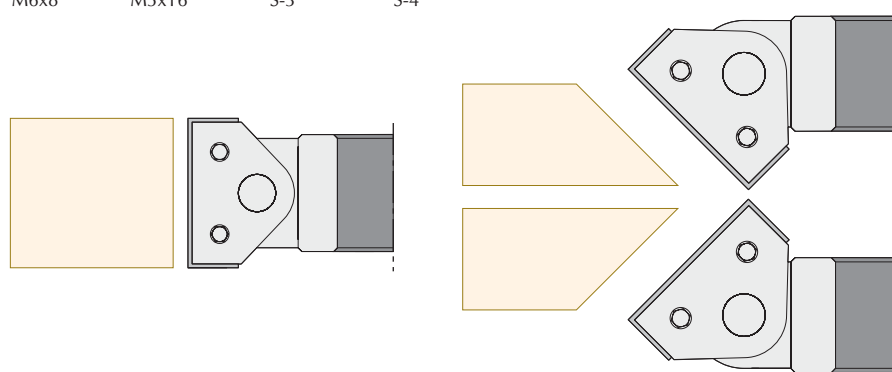
Sawing

øD	a	Code No.	B	L	ød	n
85	-45° → +90°	854 001 0	40	100	25	12,000

! Fast tuning angle of 7.5° step.
Fine tuning angle of 1°.
Also available with 20 mm diameter shankl.

Spare Parts:

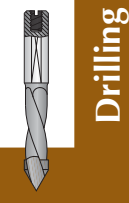
T.C. Blade	Wedge	Locking wedge	Allen screw	Allen screw	Allen key	Allen key
300 052 8	199 082 0	199 403 1	193 049 4	193 075 2	194 003 5	194 003 6
40x12x1.5	L=38	25x12	M6x8	M5x16	S-3	S-4



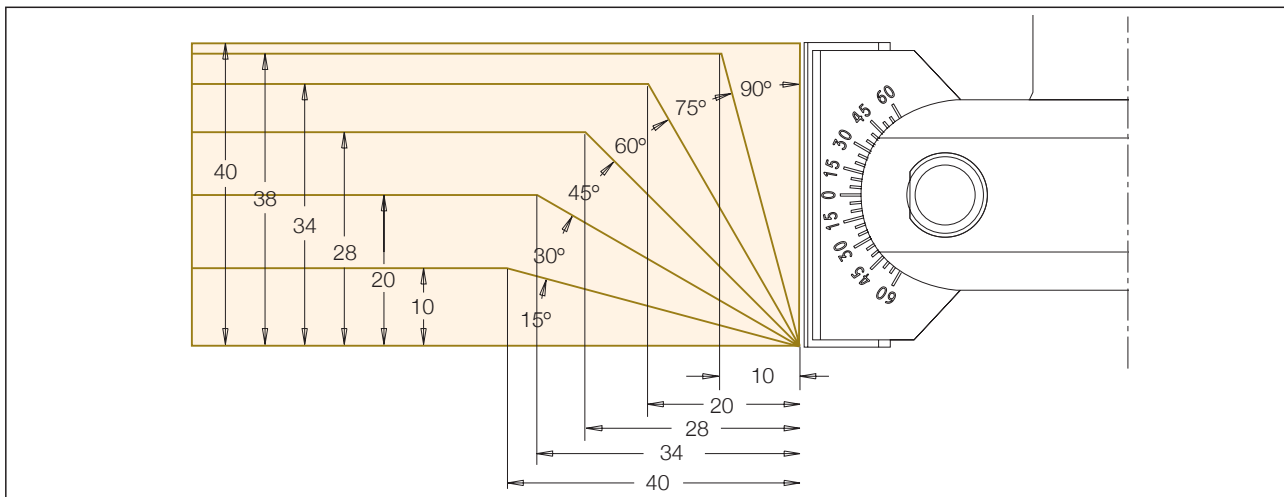
CNC



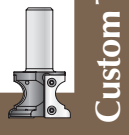
Cutting



Drilling



Routing



Custom Tooling



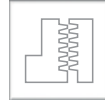
CNC



Grooving & Sizing



Profiling & Chamfering



Jointing & Rebating



Frame & Panel door



Carving



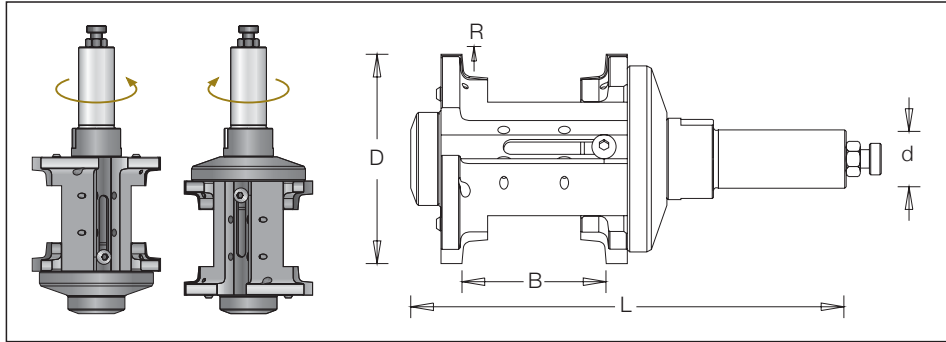
Clamping Systems & Adapters

Rounding and Chamfering Router Cutter Set

Disposable insert router cutter suitable for rounding over and/or chamfering various thicknesses of softwood, hardwood or man-made boards. continuous adjustment, scale accuracy of 0.5mm.

Can be adjusted for working in a left and right rotation direction.

For use on routers and machining centres with CNC control.

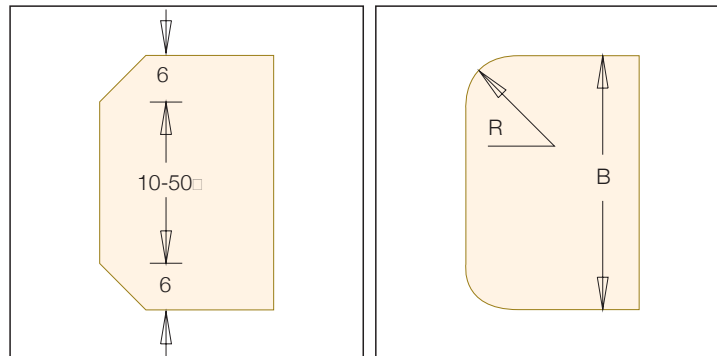


$\varnothing D$	R	Code No.	B	L	$\varnothing d$	n
90	3	852 413 H	18-58	186	25x55	10,000
	4	852 414 H	18-58	186	25x55	10,000
	5	852 415 H	18-58	186	25x55	10,000
	6	852 416 H	18-58	186	25x55	10,000
	8	852 418 H	20-60	186	25x55	10,000
	10	852 420 H	22-62	186	25x55	10,000
	45°	852 421 H	12-62	186	25x55	10,000
Set No.	3-10 & 45°	852 410 H				

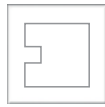
⚠ Also available with HSK or ISO adapters
No shims needed to adjust.
Also available with 20mm diameter shank.

Spare parts:

	T.C. Blade	T.C. Blade	T.C. Blade	Torx screw	Arbor	Allen screw	Allen screw	Allen key	Torx key
	Top	Bottom	#300 053 1	#193 395 0	190 810 H	193 608 0	193 076 0	194 003 6	194 101 5
R3	#310 896 3	#310 896 3L	60x12x1.5	M4x6	L=186	M5x20	M6x12	S4	T15
R4	#310 896 4	#310 896 4L							
R5	#310 896 5	#310 896 5L							
R6	#310 896 6	#310 896 6L							
R8	#310 896 8	#310 896 8L							
R10	#310 897 0	#310 897 0L							
45°	#310 300 1	#310 300 1L							



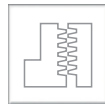
CNC



Grooving & Sizing



Profiling & Chamfering



Jointing & Rebating



Frame & Panel door



Carving



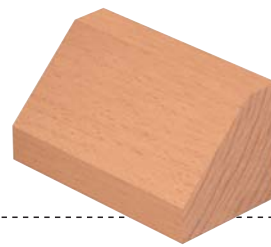
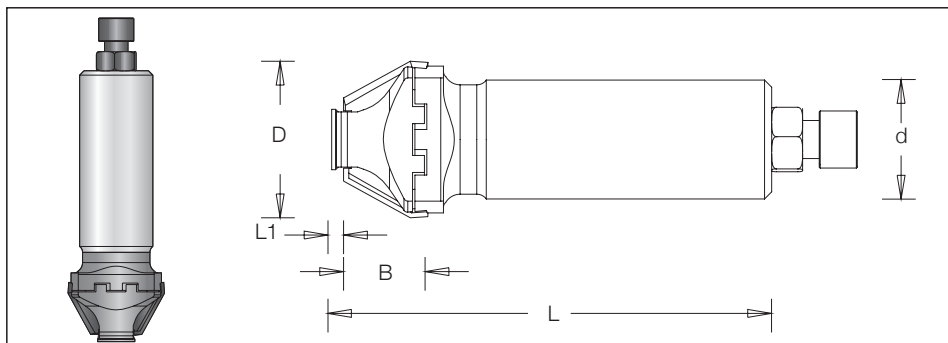
Clamping Systems & Adapters



Index

Multi-Edge Profile Router cutter

Disposable insert router cutter, chip free design, 23 different profiles suitable for the same body. Suitable for all types of wood.



Sawing

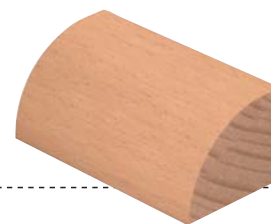
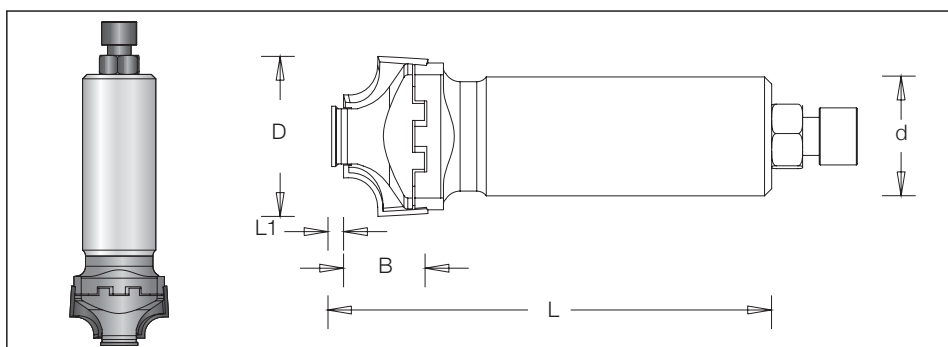
øD	a	Code No.	B	ød	L	L1	n
35	30°	808 107 H	17.5	25	92.5	2.5	28,000
38	45°	808 602 H	17.5	25	92.5	2.5	28,000

⚠ The router will be supplied with standard profiles.

Spare Parts:

T.C. Blade	T.C. Blade	Safety Cover	Safety Cover	Allen screw	Allen key
351 180 5	351 181 0	199 211 0	199 212 0	193 018 0	#194 010 0
32x18x30°	35.5x18x45°			1/4"x5/7	5/32"

CNC



Cutting

øD	R	Code No.	B	ød	L	L1	n
35	4.8	808 608 H	17.5	25	92.5	2.5	28,000
35	6.35	808 609 H	17.5	25	92.5	2.5	28,000
38	8.0	808 610 H	17.5	25	92.5	2.5	28,000

⚠ The router will be supplied with standard profiles.

Spare Parts:

T.C. Blade	T.C. Blade	T.C. Blade	Safety Cover	Safety Cover	Allen screw	Allen key
351 190 5	351 1191 0	351 191 5	199 211 0	199 212 0	193 018 0	#194 010 0
32.8x18xR4.8	32.7x18xR6.35	35.7x18xR8			1/4"x5/7	5/32"

Drilling

Routing

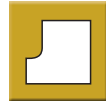
Custom Tooling



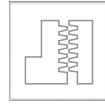
CNC



Grooving & Sizing



Profiling & Chamfering



Jointing & Rebating



Frame & Panel door



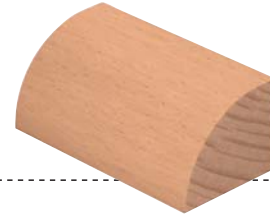
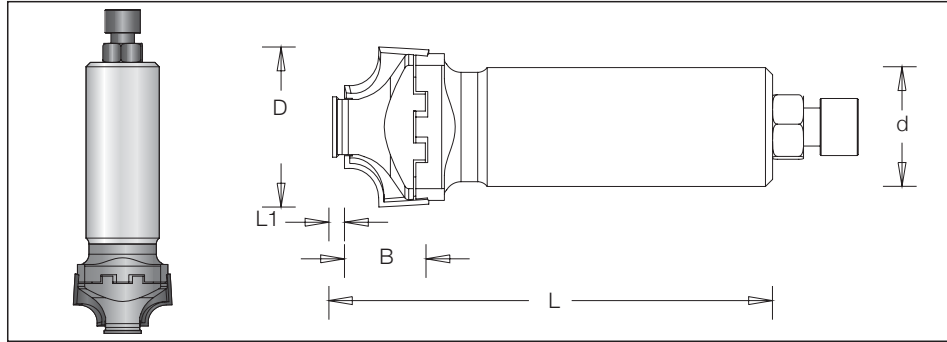
Carving



Clamping Systems & Adapters

Multi-Edge Profile Router Cutter

Disposable insert router cutter, chip free design, 23 different profiles suitable for the same body. Suitable for all types of wood.



øD	R	Code No.	B	ød	L	L1	n
35	3.2	808 603 H	17.5	25	92.5	2.5	28,000
35	4.8	808 604 H	17.5	25	92.5	2.5	28,000
35	6.35	808 605 H	17.5	25	92.5	2.5	28,000
35	8.0	808 606 H	17.5	25	92.5	2.5	28,000
38	9.5	808 607 H	17.5	25	92.5	2.5	28,000

⚠ The router will be supplied with standard profiles.

Spare Parts:

T.C. Blade	T.C. Blade	T.C. Blade	T.C. Blade	T.C. Blade
351 090 5	351 091 0	351 091 5	351 092 0	351 092 5
33x18xR3.2	32.7x18xR4.8	32.5x18xR6.35	32.5x18xR8	35.4x18xR9.5
Safety Cover	Safety Cover	Allen screw	Allen key	
199 211 0	199 212 0	193 018 0	#194 010 0	
		1/4"x57	5/32"	

Index

Sawing

CNC

Cutting

Drilling

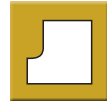
Routing

Custom Tooling

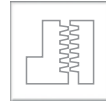
CNC



Grooving & Sizing



Profiling & Chamfering



Jointing & Rebating



Frame & Panel door



Carving



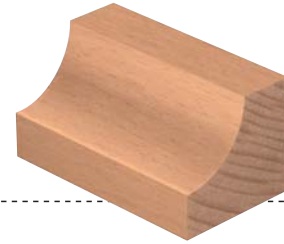
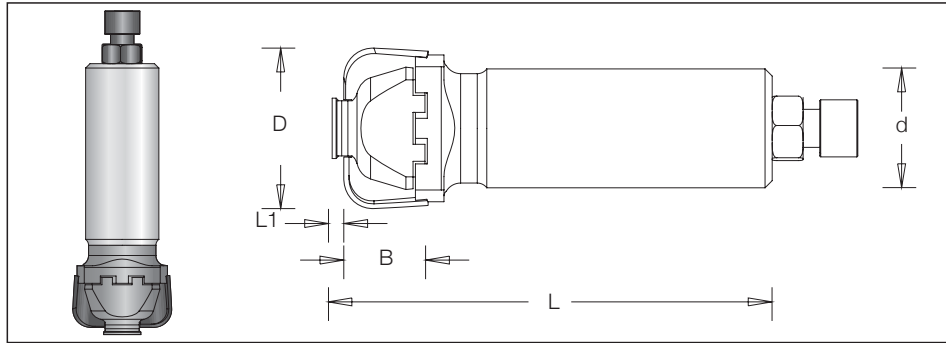
Clamping Systems & Adapters



Index

Multi-Edge Profile Router Cutter

Disposable insert router cutter, chip free design, 23 different profiles suitable for the same body. Suitable for all types of wood.



Sawing



$\varnothing D$	R	Code No.	B	$\varnothing d$	L	L1	n
35	6.3	808 611 H	17.5	25	92.5	2.5	28,000
35	8	808 612 H	17.5	25	92.5	2.5	28,000
35	9.5	808 601 H	17.5	25	92.5	2.5	28,000

⚠ The router will be supplied with standard profiles.

Spare Parts:



T.C. Blade
351 120 5
32.7x18xR6.3



T.C. Blade
351 121 0
32x18xR8



T.C. Blade
351 121 5
35.6x18xR9.5



Safety Cover
199 211 0



Safety Cover
199 212 0



Allen screw
193 018 0
1/4"x57

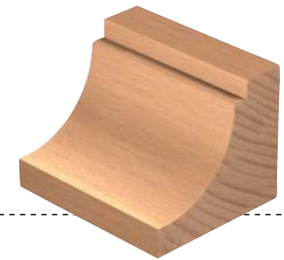
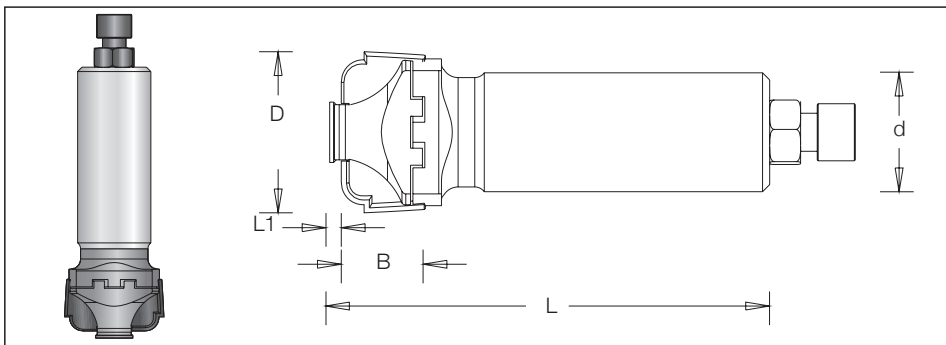
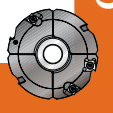


Allen key
#194 010 0
5/32"

CNC



Cutting



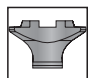
$\varnothing D$	R	Code No.	B	$\varnothing d$	L	L1	n
35	4.8	808 613 H	17.5	25	92.5	2.5	28,000

⚠ The router will be supplied with standard profiles.

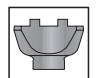
Spare Parts:



T.C. Blade
351 400 5
32.8x18xR4.8



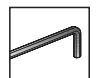
Safety Cover
199 211 0



Safety Cover
199 212 0

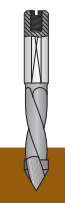


Allen screw
193 018 0
1/4"x57



Allen key
#194 010 0
5/32"

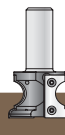
Drilling



Routing



Custom Tooling

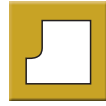




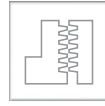
CNC



Grooving & Sizing



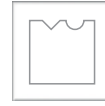
Profiling & Chamfering



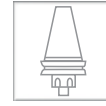
Jointing & Rebating



Frame & Panel door



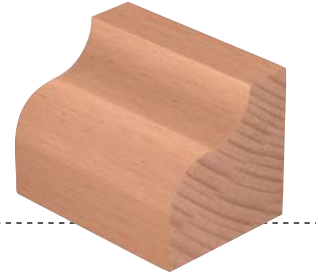
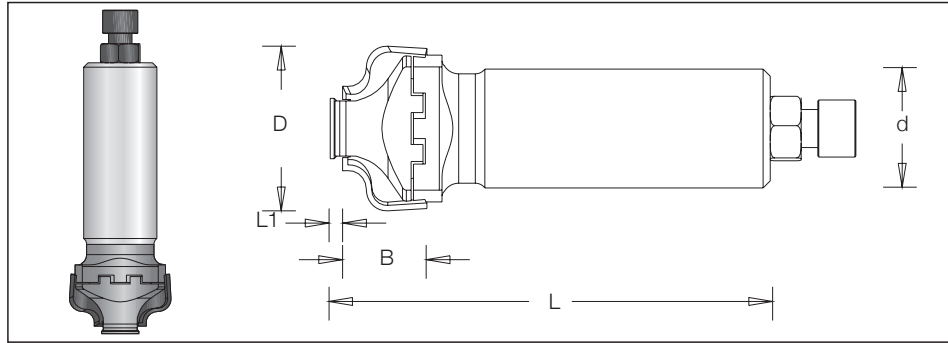
Carving



Clamping Systems & Adapters

Multi-Edge Profile Router Cutter

Disposable insert router cutter, chip free design, 23 different profiles suitable for the same body.
Suitable for all types of wood.



øD	R	R1	Code No.	B	ød	L	L1	n
38	4.0	4.5	808 615 H	17.5	25	92.5	2.5	28,000

⚠ The router will be supplied with standard profiles.

Spare Parts:



T.C. Blade

351 381 0
35.6x18xR4/4.5



Safety Cover

199 211 0



Safety Cover

199 212 0



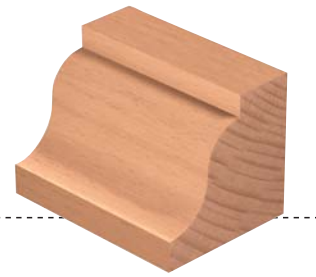
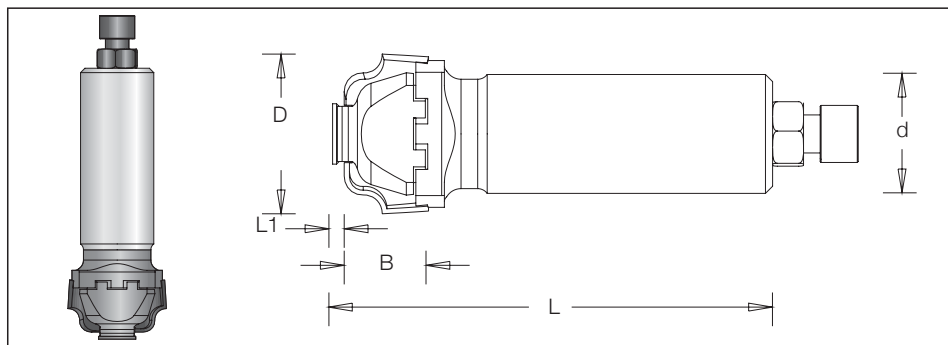
Allen screw

193 018 0
1/4"x57



Allen key

#194 010 0
5/32"



øD	R	Code No.	B	ød	L	L1	n
35	4	808 616 H	17.5	25	92.5	2.5	28,000

⚠ The router will be supplied with standard profiles.

Spare Parts:



T.C. Blade

351 130 5
32.5x18xR4



Safety Cover

199 211 0



Safety Cover

199 212 0



Allen screw

193 018 0
1/4"x57



Allen key

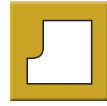
#194 010 0
5/32"



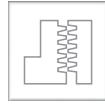
CNC



Grooving & Sizing



Profiling & Chamfering



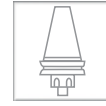
Jointing & Rebating



Frame & Panel door



Carving



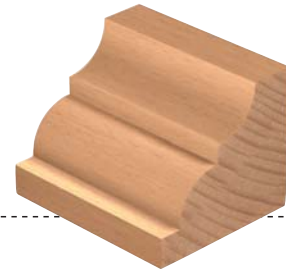
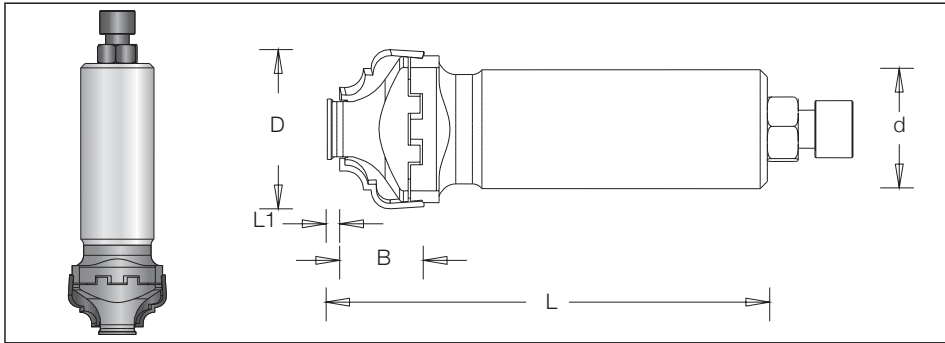
Clamping Systems & Adapters



Index

Multi-Edge Profile Router Cutter

Disposable insert router cutter, chip free design, 23 different profiles suitable for the same body. Suitable for all types of wood.



Sawing

øD	R	Code No.	B	ød	L	L1	n
38	4.0	808 618 H	17.5	25	92.5	2.5	28,000

⚠ The router will be supplied with standard profiles.

Spare Parts:



T.C. Blade
351 351 0
35.5x18xR4



Safety Cover
199 211 0



Safety Cover
199 212 0



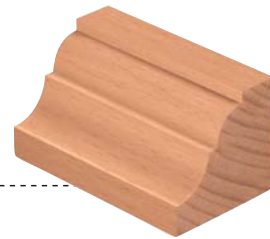
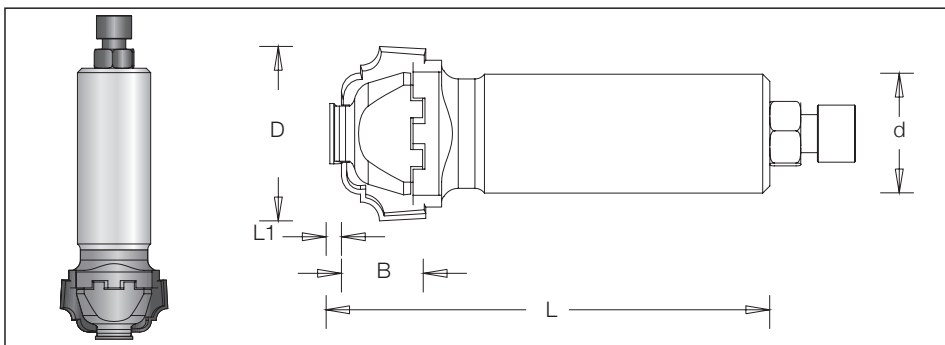
Allen screw
193 018 0
1/4"x57



Allen key
#194 010 0
5/32"

CNC

Cutting



øD	R	Code No.	B	ød	L	L1	n
38	4	808 619 H	17.5	25	92.5	2.5	28,000

⚠ The router will be supplied with standard profiles.

Spare Parts:



T.C. Blade
351 340 5
35.6x18xR4



Safety Cover
199 211 0



Safety Cover
199 212 0



Allen screw
193 018 0
1/4"x57



Allen key
#194 010 0
5/32"

Drilling

Routing

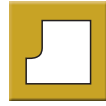
Custom Tooling



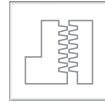
CNC



Grooving & Sizing



Profiling & Chamfering



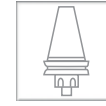
Jointing & Rebating



Frame & Panel door



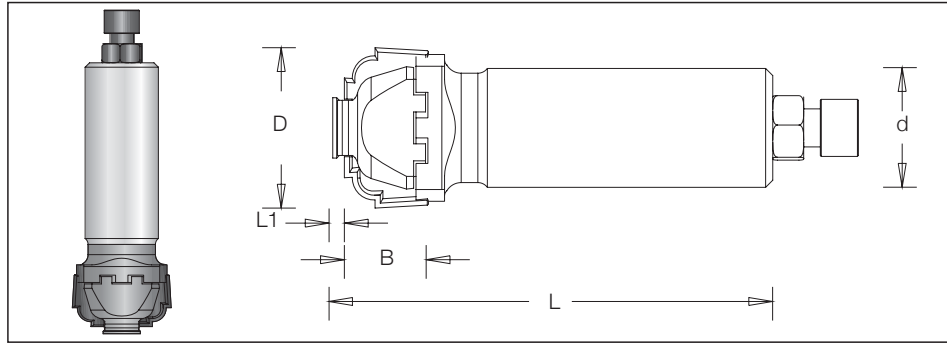
Carving



Clamping Systems & Adapters

Multi-Edge Profile Router Cutter

Disposable insert router cutter, chip free design, 23 different profiles suitable for the same body. Suitable for all types of wood.



$\varnothing D$	R	Code No.	B	$\varnothing d$	L	L1	n
35	4.8	808 620 H	17.5	25	92.5	2.5	28,000

⚠ The router will be supplied with standard profiles.

Spare Parts:



T.C. Blade
351 390 5
32.7x18xR4.8



Safety Cover
199 211 0



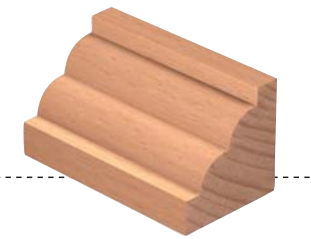
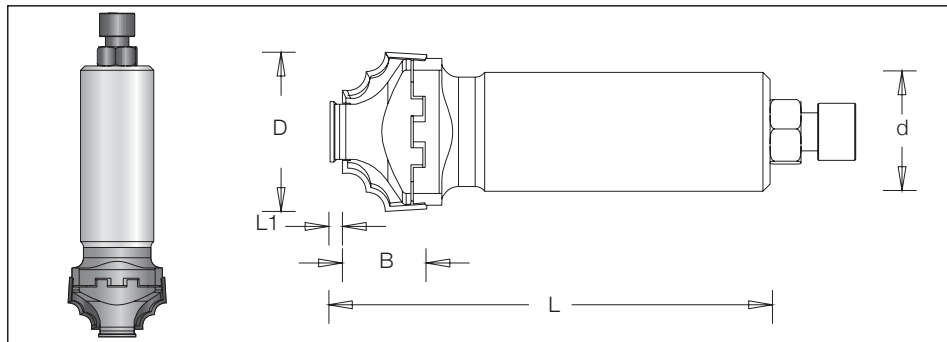
Safety Cover
199 212 0



Allen screw
193 018 0
1/4"x57



Allen key
#194 010 0
5/32"



$\varnothing D$	R	Code No.	B	$\varnothing d$	L	L1	n
38	4.0	808 622 H	17.5	25	92.5	2.5	28,000

⚠ The router will be supplied with standard profiles.

Spare Parts:



T.C. Blade
351 361 0
35.6x18xR4



Safety Cover
199 211 0



Safety Cover
199 212 0



Allen screw
193 018 0
1/4"x57



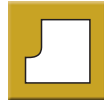
Allen key
#194 010 0
5/32"



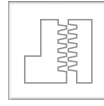
CNC



Grooving & Sizing



Profiling & Chamfering



Jointing & Rebating



Frame & Panel door



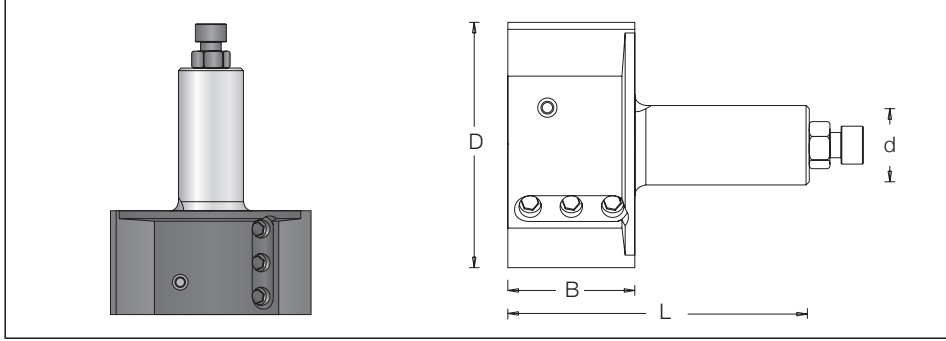
Carving



Clamping Systems & Adapters

Multi Profile Router Cutter

Disposable insert profile router cutter with two cutting flutes. Suitable for profiling in softwoods, hardwoods and man-made boards (with or without coating). Tool will be supplied with special inserts and backing plates ground to the customer's own specification. For use on routers and machining centres with CNC control.



$\varnothing D$	Code No.	B	L	$\varnothing d$	n
80	856 002 0	40	100	25	18,000

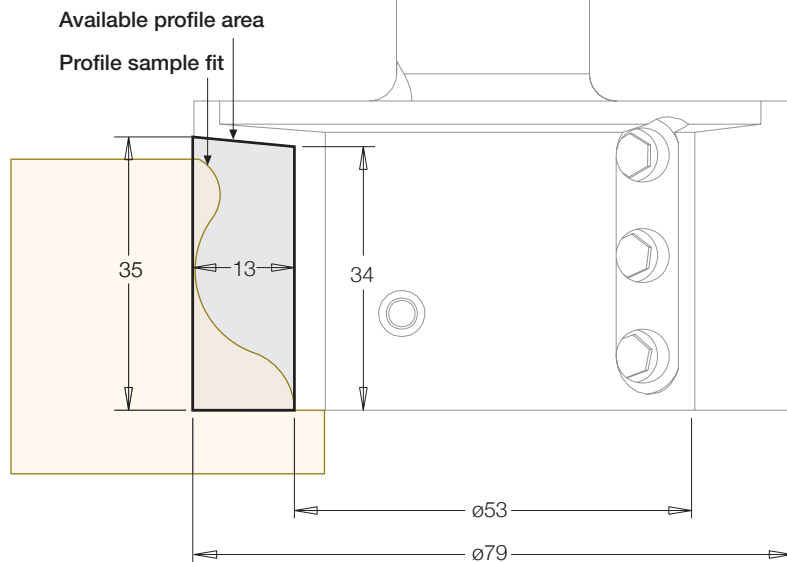
⚠ Also available with 20mm diameter shank.

Spare Parts:

Special profile	Wedge	Supporting plate	Allen screw	Allen key
199 022 0	199 110 0	193 040 0	194 015 0	
40x13.5x8	40x26x4	M8x10	S-4	

The router will be supplied with knives grinded according to customer specification that fit into the marked area.

For every new profile, 2 supporting plates need to be ordered.

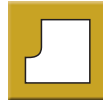


Scale - 1:1

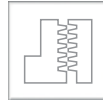
CNC



Grooving & Sizing



Profiling & Chamfering



Jointing & Rebating



Frame & Panel door



Carving

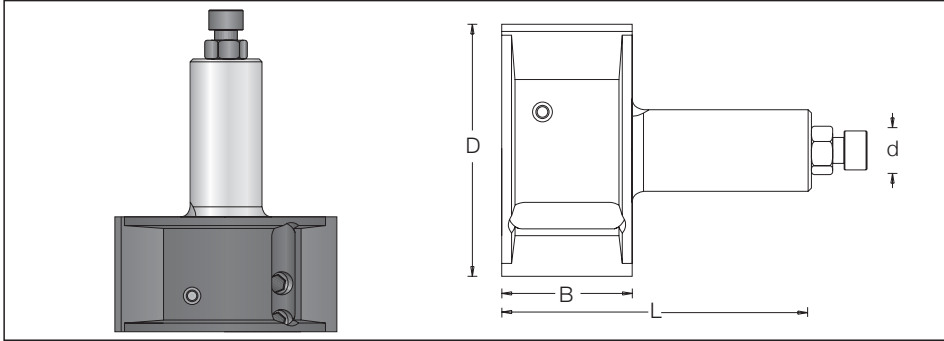


Clamping Systems & Adapters



Multi Profile Router Cutter

Disposable insert profile router cutter with two cutting flutes. Suitable for profiling in softwoods, hardwoods and man-made boards (with or without coating). Tool will be supplied with special inserts and backing plates ground to the customer's own specification. For use on routers and machining centres with CNC control.



$\varnothing D$	Code No.	B	L	$\varnothing d$	n
80	856 001 0	40	100	25	18,000

Also available with 20mm diameter shank.

Spare Parts:



Special profile



Wedge

199 022 0
40x15.5x8



Supporting plate

199 110 0
40x26x4



Allen screw

193 026 6
M8x10

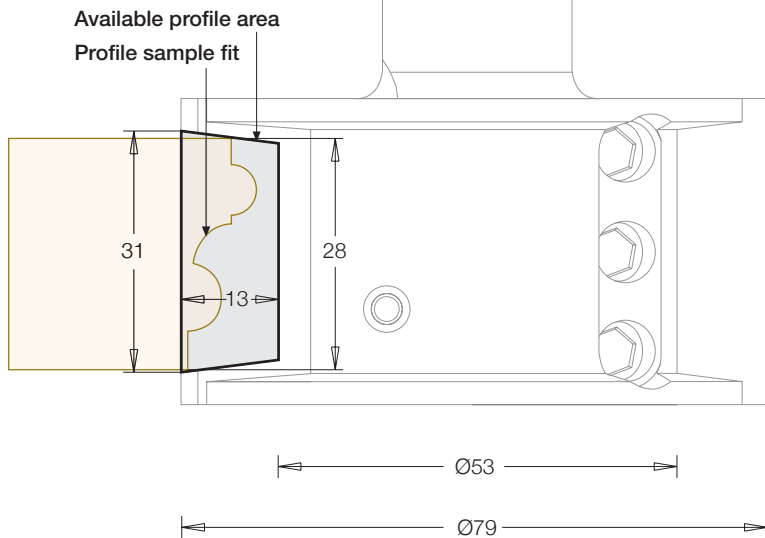


Allen key

194 015 0
S4

The router will be supplied with knives grinded according to customer specification that fit into the marked area.

For every new profile, 2 supporting plates need to be ordered.



Scale - 1:1